

# Unlock the Full Potential of Your Mill with GPpro CMS

Experience next-generation condition monitoring with our GPpro module "Condition Monitoring System", designed to oversee not just the gearbox, but the entire mill – including all auxiliary systems.

Our comprehensive approach ensures optimal operation and maximizes equipment reliability by continuously monitoring every critical component.

Benefit from early detection and proactive warnings of potential issues, enabling you to address problems before they impact production. Real-time status updates and regular condition reports keep you informed and empower you to make data-driven decisions for your plant.

Over 160 years of expertise in the grinding business, allow us to offer you the best possible monitoring and support.



**GEBR. PFEIFFER**



**Comprehensive Monitoring** goes beyond the gearbox and covers the entire mill.

**Proactive Analysis** enables early detection and warning of potential issues, ensuring optimal operation and minimising downtime.

**Real-Time Intelligence** delivers instant status updates and regular condition reports, empowering data-driven decisions and process optimization.



**Get in touch with our experts.** Scan this QR code and upgrade your VRM now!



[sales@gebr-pfeiffer.com](mailto:sales@gebr-pfeiffer.com)

Gebr. Pfeiffer SE  
Barbarossastr. 50-54  
67655 Kaiserslautern, Germany  
+49 631 4161 0



**GEBR. PFEIFFER**



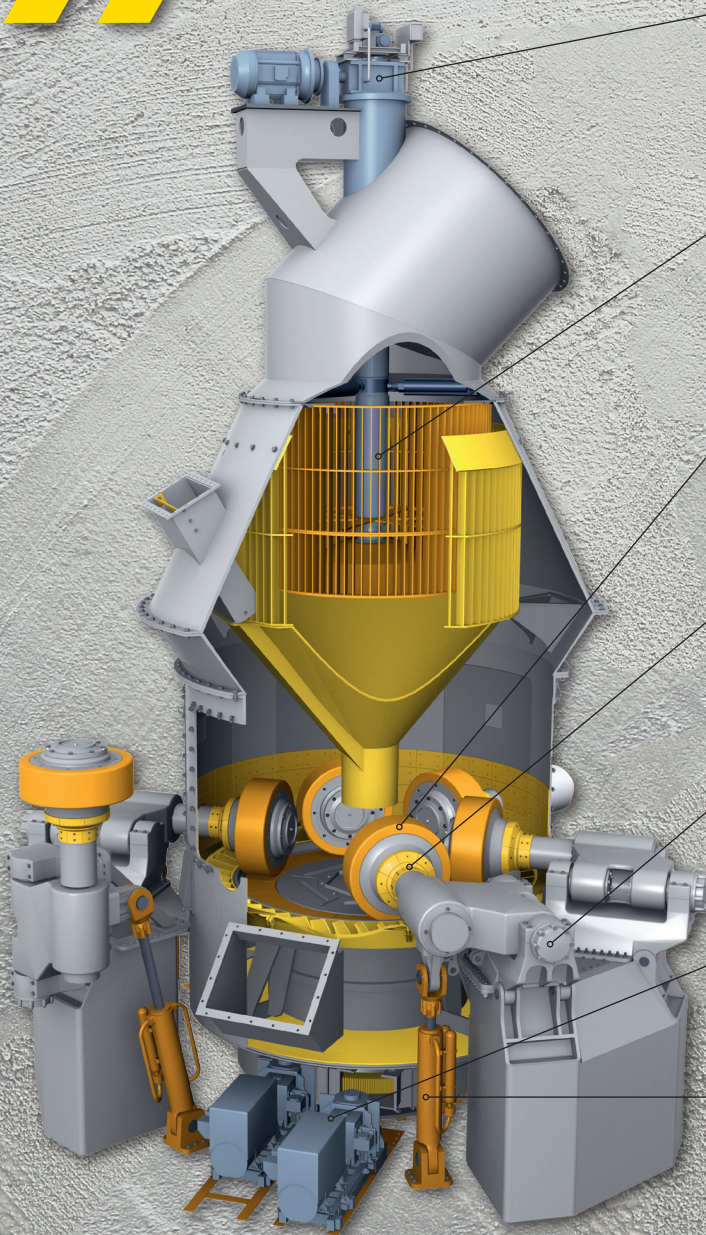
**GPpro**

**CMS**

## Module: Condition Monitoring System

Boost the availability of your Pfeiffer mill.

## GPpro CMS - mill



Classifier gearbox

Classifier bearing system

Grinding roller

Seal air system

Roller arm bearing

Gearbox

Hydraulic tension system



### Your advantages with GPpro CMS - mill

- » extensive sensor package
- » proactive warnings
- » recommendations for actions
- » data analysis by Gebr. Pfeiffer specialists
- » detailed condition reports

***Increase your mill availability.***



### The right GPpro module for every application

Choose between our recommended  
**GPpro CMS - mill** and the classic  
CMS option **GPpro CMS - main gearbox.**